

CF225

TECHNICAL SPECIFICATION

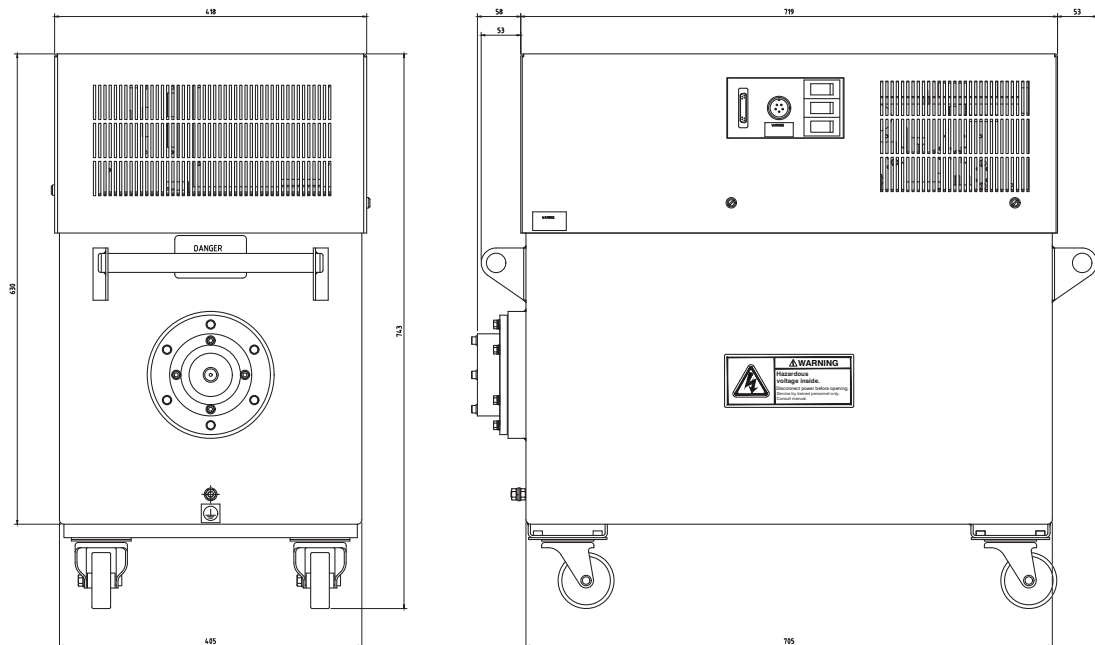


Maximum Power	1800 W
kV Range	5 – 225 kV
kV Accuracy	± 1% of Demand Value
kV Reproducibility	Better Than ± 0.05 kV
High Voltage Ripple	<5.0V/mA with 10M High Voltage Cable
mA Range	0 – 18 mA
mA Accuracy	± 0.5% of Demand Value
mA Reproducibility	Better Than 2µA
Input Voltage	220 V ±10% 47 – 63 Hz
Input Current	13 A at 220 V
Output Connector	R30
Dimensions (W x H X D)	418 x 630 x 830 mm
Weight	180 kg
Storage Temperature	-40° C to + 70° C
Operational Temperature	0°C to + 40°C
Relative Humidity	95%
Duty Cycle	100%
Comms	Analogue / RS232 / RS422

X-RAY

GENERATORS • CONTROLLERS • TUBES

CF series generators are designed to offer a cost-effective solution to powering high-power small focal spot x-ray tubes by perfectly marrying the 1800W power output of the tube. Operating at 45KHz and using Gulmay's variable frequency technology, the CF is an efficient and versatile generator ideal for a broad array of applications including CT, gauging, precision calibration and a range of real time NDT inspection.



GULMAY Limited
Cyan House, 1 Canada Road, Byfleet, Surrey, KT14 7JL
United Kingdom
Telephone: +44 01932 339850

